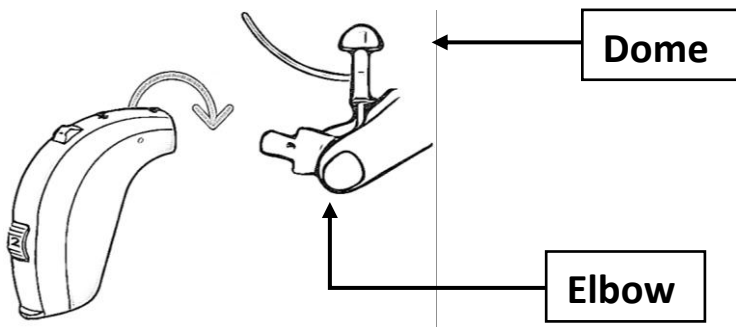


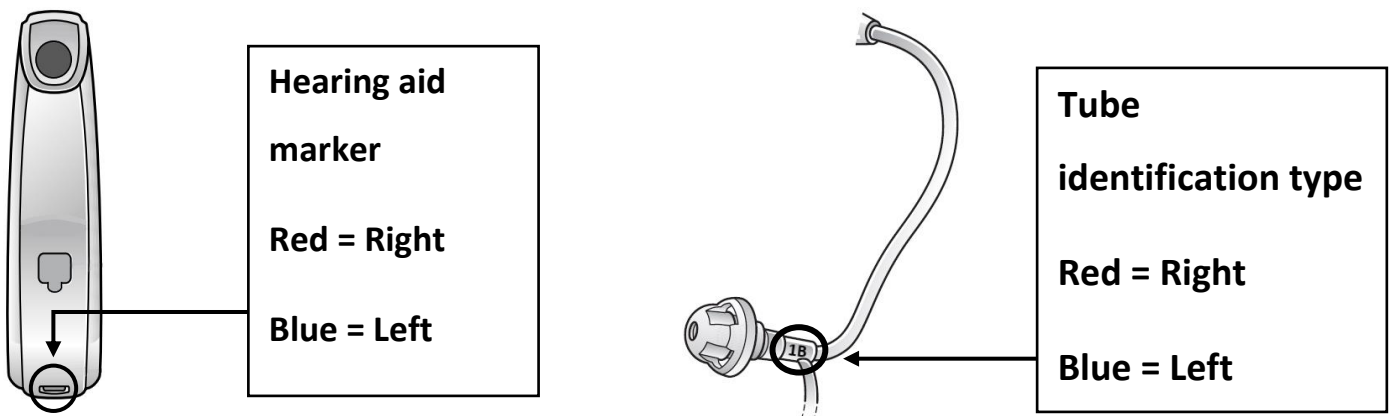
Thin tube replacement – GN Resound



Please note the image shown is for a right hearing aid. For the left hearing aid, the dome would be facing down when the elbow has been turned at 90 degrees anti-clockwise.

Twist the elbow (the plastic attachment connecting the tube and the hearing aid) anti-clockwise 90 degrees then pull out as shown in the image above. At a 90 degree anti-clockwise rotation, push the elbow of the new attachment into the hearing aid. When the elbow is in the hearing aid, turn it clockwise to 12 o'clock to secure it. Please avoid twisting the tube while doing the replacement.

Identifying left and right



Your hearing aids are programmed to match your hearing loss for each ear individually, therefore it is important to wear the correct hearing aid on the correct side. At the bottom of the hearing aid you should see a red or blue dot (known as the hearing aid marker). The red marker indicates the right hearing aid and the blue marker indicates the left hearing aid. Likewise, at the bottom of your tube, you should see a number and a letter in red or blue. Please ensure you match the correct tube with the correct hearing aid.